



**Model Number**

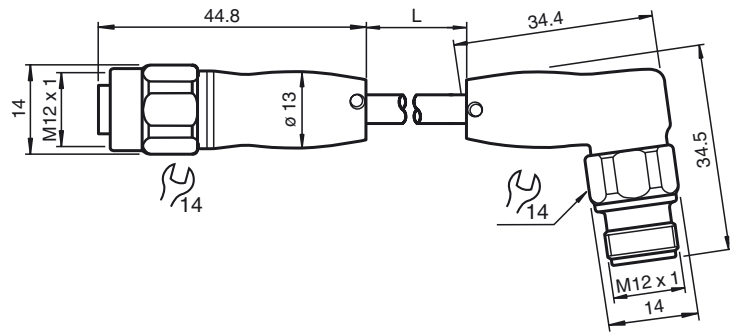
**V1-GV4A-5M-PP-H1-V1-WV4A**

Cordset, M12 to M12, V4A stainless steel, hygienic design, 4-pin, PP cable

**Features**

- Suitable for applications involving contact with products in the food and beverage industry
- Certified by ECOLAB
- Resistant to all common acid and alkaline cleaning products and disinfectants
- Degree of protection IP67 / IP68 / IP69
- Suitable for drag chains
- Halogen-free (PVC-free)
- Materials used compliant with FDA

**Dimensions**



**Technical data**

**General specifications**

Number of pins 4

**Electrical specifications**

Operating voltage  $U_B$  max. 250 V AC/DC  
 Operating current  $I_B$  max. 4 A

**Ambient conditions**

Ambient temperature cable, flexing: -25 ... 105 °C (-13 ... 221 °F)  
 cable, fixed: -40 ... 105 °C (-40 ... 221 °F)

Pollution degree 3

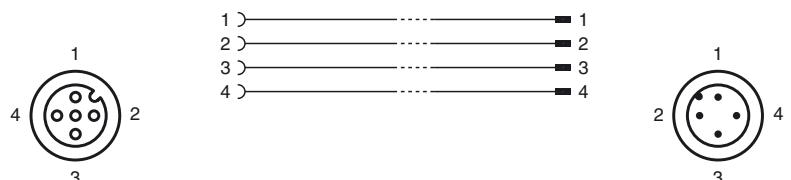
**Mechanical specifications**

Contact elements	spring-loaded contact socket
Pin diameter	1 mm
Degree of protection	IP67 / IP68 / IP69
Material	
Contacts	CuSn
Contact surface	Ni/Au
Body	PP
Cable	PP-EPDM
Slotted nut	stainless steel V4A
Seal	FKM
Core insulation	PP
Temperature resistance	Cold bending-resistant and cold impact-resistant up to -40 °C (-40 °F)
Cable	extra-fine wire, flexible
Sheath diameter	Ø 4.7 mm
Bending radius	> 10 x cable diameter, moving > 5 x cable diameter, fixed
Color	grey
Cores	4 x 0.34 mm <sup>2</sup>
Conductor construction	42 x 0.1 mm Ø
Length	L 5 m
Drag chain suitability	
Drag chain cycles	≥ 4000000
Motion velocity	≤ 3 m/s
Traverse distance	10 m
Acceleration	≤ 10 m/s <sup>2</sup>
Torsion cycles	≥ 4000000
Torsional stress	± 270 °/m
Tightening torque, cable gland	0.4 ... 0.6 Nm
Mating cycles	≥ 100

**Compliance with standards and directives**

Standard conformity  
 Degree of protection EN 60529

**Electrical connection**



Release date: 2017-04-25 14:57 Date of issue: 2017-05-23 295195\_eng.xml



Standards	IEC 61076-2-101
Halogen-free	IEC 60754-1
Temperature resistance	DIN EN 60811-1-4
Material	FDA-compliant in accordance with FDA 21 CFR 177.2600

Release date: 2017-04-25 14:57 Date of issue: 2017-05-23 295195\_eng.xml

Refer to "General Notes Relating to Pepperl+Fuchs Product Information".